

QSI12R5

High Power, High Isolation

Features:
 * High Power
 * High Isolation
 * Low Insertion Loss
 * Low VSWR

Applications:
 * Wireless
 * Radar
 * Laboratory Test

Description

QSI12R5 series Surface Mount Isolators cover frequency range 800-6000MHz. High power, high isolation and low insertion loss make it ideal for a lot of applications like amplifiers, transceivers, etc.

Specifications

Frequency (MHz)	Bandwidth (MHz)	IL (dB Max.)	Isolation (dB Min.)	VSWR (Max.)	Fwd Power (W Max.)	Rev Power (W)	Temperature (°C)
790-810	20	0.4	20	1.25	50	10	-40 - +85
889-909	20	0.4	20	1.25	50	10	-40 - +85
1180-1220	40	0.4	18	1.25	50	10	-40 - +85
1400-1500	100	0.6	18	1.3	50	10	-40 - +85
1420-1450	30	0.4	20	1.25	50	10	-40 - +85
2200-2300	100	0.3	23	1.2	50	10	-40 - +85
3100-3500	400	0.3	17	1.35	50	10	-40 - +85
4400-5000	600	0.4	20	1.25	30	5	-40 - +85
5500-6000	500	0.4	20	1.25	50	10	-40 - +85
5700-5900	200	0.4	20	1.25	50	10	-40 - +85

Mechanical

Size: $\Phi 12.5 * 7 \text{mm}$
 $\Phi 0.492 * 0.276 \text{in}$

How To Order

QSI12R5-V-W-X-Y-Z

V: Start frequency in MHz
 W: Stop frequency in MHz
 X: Forward power in W
 Y: Reverse power in W
 Z: Direction type

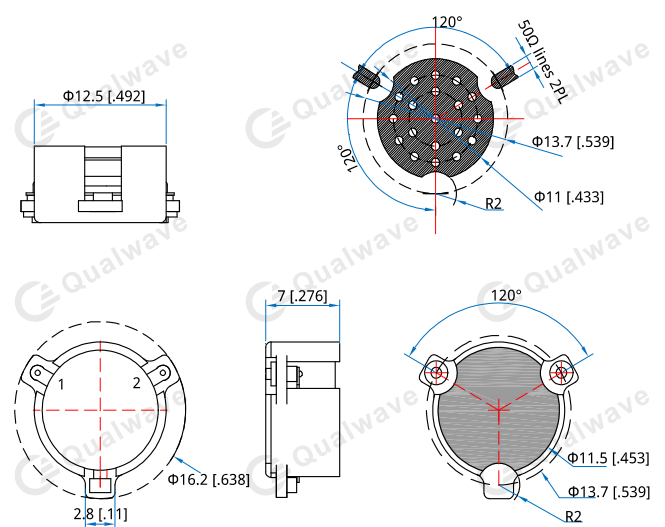
Direction Naming Rules:

1 - Clockwise
 2 - Anticlockwise

Examples:

To order a QSI12R5 series Isolator, 790-810MHz, Forward power 50W, Reverse power 10W, Clockwise, specify QSI12R5-790-810-50-10-1.

Outline Drawings



Unit: mm [inch]
 Tolerance: $\pm 0.2 \text{mm}$ [$\pm 0.008 \text{in}$]

Customization is available upon request.