

QWCA-10-1

WR-10 to 1.0mm

Features:
* Low VSWR

Applications:
* Wireless
* Transmitter
* Laboratory Test
* Radar

Electrical

Frequency:	73.8~112GHz
VSWR:	1.4 max.(right angle) 1.5 max.
Insertion Loss:	1dB max.
Impedance:	50Ω

Mechanical

Coax Connectors:	1.0mm
Waveguide Size:	WR-10
Flange:	UG-387/UM
Material:	Gold plated brass

Environmental

Operating Temperature: -55~+125°C

How To Order

QWCA-10-X-Y-Z

X : Connector type.

Y : Configuration type.

Z : Flange type if applicable.

Connector naming rules:

1 - 1.0mm Male (Outline A, Outline B)

1F - 1.0mm Female (Outline A, Outline B)

Configuration naming rules:

E - End launch (Outline A)

R - Right angle (Outline B)

Flange naming rules:

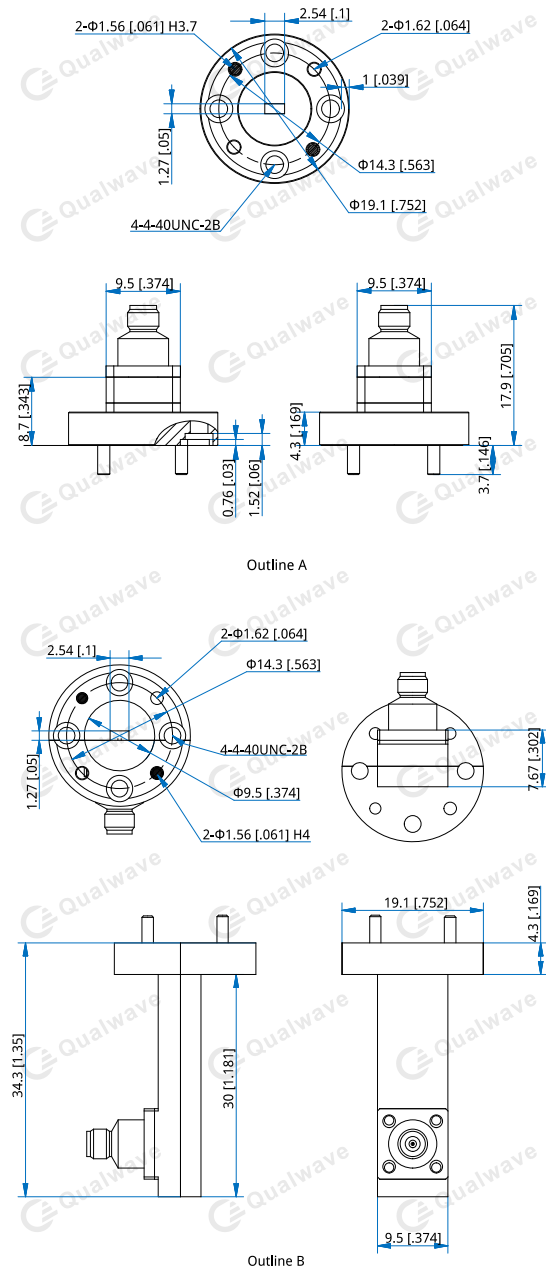
12 - UG-387/UM (Outline A, Outline B)

Examples:

To order a waveguide to coax adapter, WR-10 to 1.0mm female, end launch, UG-387/UM, specify QWCA-10-1F-E-12.

Customization is available upon request.

Outline Drawings



Unit: mm [in]

Tolerance: ±0.2mm [±0.008in]