

# QWCA-112-TF-R-1-A

## WR-112 to TNC Female, Right angle

Features:  
\* Low VSWR

Applications:  
\* Wireless  
\* Transmitter  
\* Laboratory Test  
\* Radar

### Electrical

Frequency: 6.57~9.99GHz  
VSWR: 1.2 max.

### Mechanical

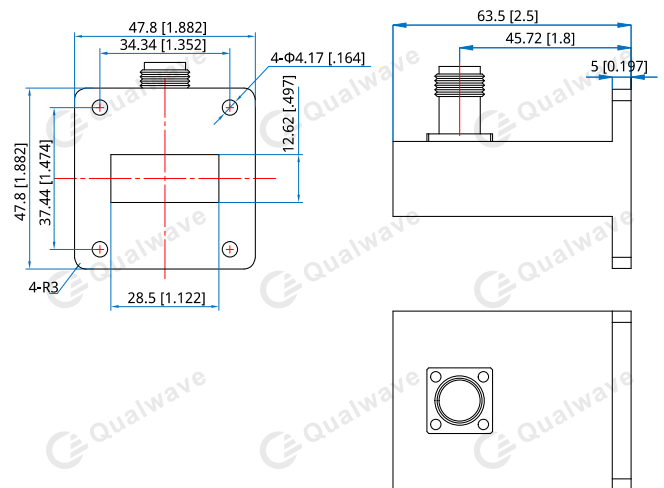
RF Connectors: TNC Female  
Waveguide Size: WR-112  
Flange: FBP84  
Material: Copper

### How To Order

**QWCA-112-TF-R-1-A**

Customization is available upon request.

### Outline Drawings



Unit: mm [in]

Tolerance:  $\pm 0.2\text{mm}$  [ $\pm 0.008\text{in}$ ]