

QWCA-15-1 WR-15 to 1.0mm

Features:
* Low VSWR

Applications:
* Wireless
* Transmitter
* Laboratory Test
* Radar

Electrical

Frequency: 50~75GHz
VSWR: 1.38 max. (Outline A)
1.4 max.
Impedance: 50Ω

Mechanical

Coax Connectors: 1.0mm
Waveguide Size: WR-15
Flange: UG-385/U
Material: Gold plated brass

Environmental

Operating Temperature: -55~+125°C

How To Order

QWCA-15-X-Y-Z

X : Connector type.

Y : Configuration type.

Z : Flange type if applicable.

Connector naming rules:

1F - 1.0mm Female (Outline A, B)

1 - 1.0mm Male (Outline A, B)

Configuration naming rules:

E - End launch (Outline B)

R - Right angle (Outline A)

Flange naming rules:

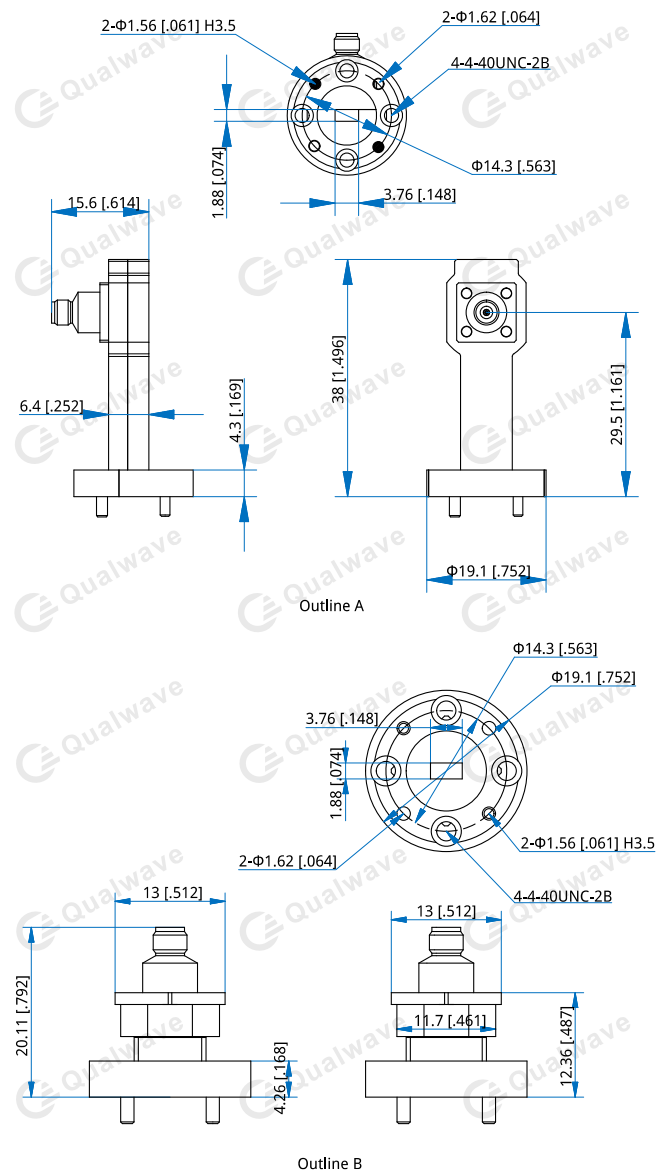
6 - UG-385/U (Outline A, B)

Examples:

To order a waveguide to coax adapter, WR-15 to 1.0mm male, right angle, UG-385/U, specify QWCA-15-1-R-6.

Customization is available upon request.

Outline Drawings



Unit: mm [in]

Tolerance: ±0.2mm [±0.008in]