

## QWCA-62-TF-R-1-A

### WR-62 to TNC Female, Right angle

Features:  
\* Low VSWR

Applications:  
\* Wireless  
\* Transmitter  
\* Laboratory Test  
\* Radar

#### Electrical

Frequency: 11.9~18GHz  
VSWR: 1.2 max.

#### Mechanical

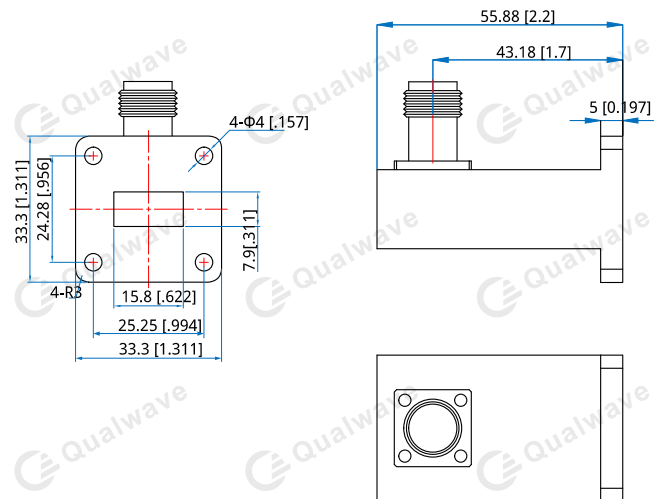
RF Connectors: TNC Female  
Waveguide Size: WR-62  
Flange: FBP140  
Material: Copper

#### How To Order

**QWCA-62-TF-R-1-A**

Customization is available upon request.

#### Outline Drawings



Unit: mm [in]

Tolerance:  $\pm 0.2\text{mm}$  [ $\pm 0.008\text{in}$ ]