

QWCA-90-N WR-90 to N

Features:
* Low VSWR

Applications:
* Wireless
* Transmitter
* Laboratory Test
* Radar

Electrical

Frequency: 8.2~12.5GHz
VSWR: 1.2 max.

Mechanical

Coax Connectors: N
Waveguide Size: WR-90
Flange: FDM100
Material: Aluminium

Environmental

Operating Temperature: -70~+165°C

How To Order

QWCA-90-X-Y-Z

X : Connector type.

Y : Configuration type.

Z : Flange type if applicable

Connector naming rules:

N - N Male (Outline A)

NF - N Female (Outline A)

Configuration naming rules:

E - End launch

R - Right angle (Outline A)

Flange naming rules:

1 - FBP

2 - FDP

3 - FBM

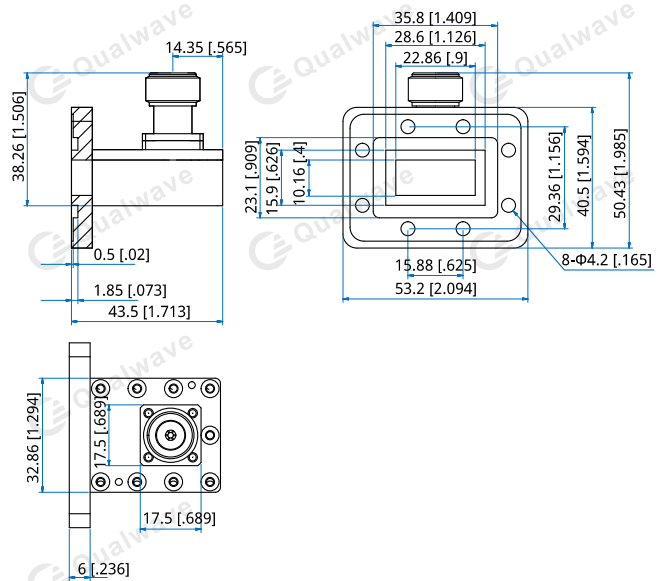
4 - FDM (Outline A)

Examples:

To order a waveguide to coax adapter, WR-90 to N female, right angle, FDM, specify QWCA-90-NF-R-4.

Customization is available upon request.

Outline Drawings



Outline A

Unit: mm [in]

Tolerance: ±0.2mm [±0.008in]