

## QWCA-D580-T

### WRD-580 to TNC

Features:  
\* Low VSWR

Applications:  
\* Wireless  
\* Transmitter  
\* Laboratory Test  
\* Radar

#### Electrical

Frequency: 5.8~16GHz  
VSWR: 1.3 max.  
Insertion Loss: 0.35dB max.

#### Mechanical

Coax Connectors: TNC  
Waveguide Size: WRD-580  
Flange: FPWRD580  
Material: Aluminium  
Finish: Conductive oxidation  
Coating: Black paint

#### Environmental

Operating Temperature: -70~+165°C

#### How To Order

##### QWCA-D580-X-Y-Z

X : Connector type.

Y : Configuration type.

Z : Flange type if applicable.

Connector naming rules:

T - TNC Male (Outline A, Outline B)

TF - TNC Female (Outline A, Outline B)

Configuration naming rules:

E - End launch(Outline A)

R - Right angle (Outline B)

Flange naming rules:

8 - FPWRD (Outline A, Outline B)

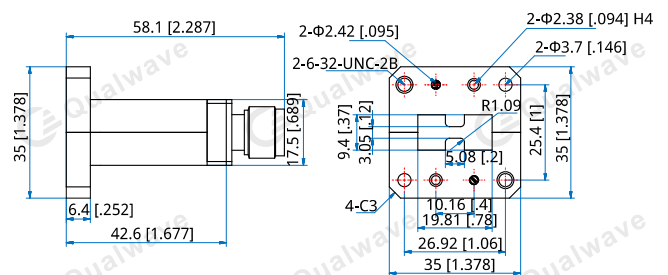
Examples:

To order a waveguide to coax adapter, WR-D580 to TNC female, right angle, FPWRD, specify QWCA-D580-TF-R-8.

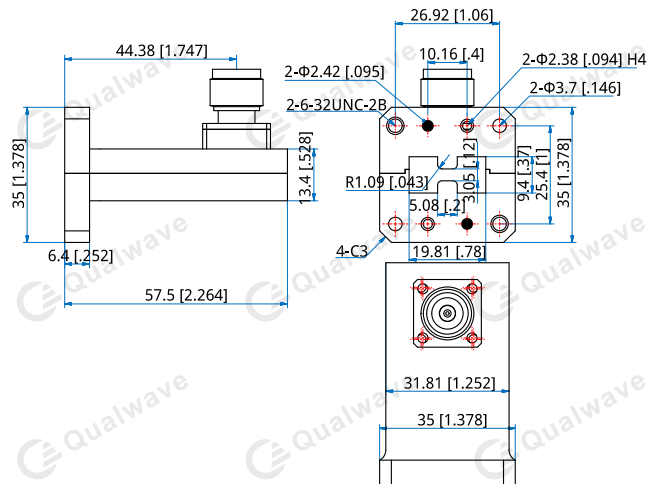
#### Environmental

Operating Temperature: -70~+165°C

#### Outline Drawings



Outline A



Outline B

Unit: mm [in]

Tolerance: ±0.5mm [±0.02in]